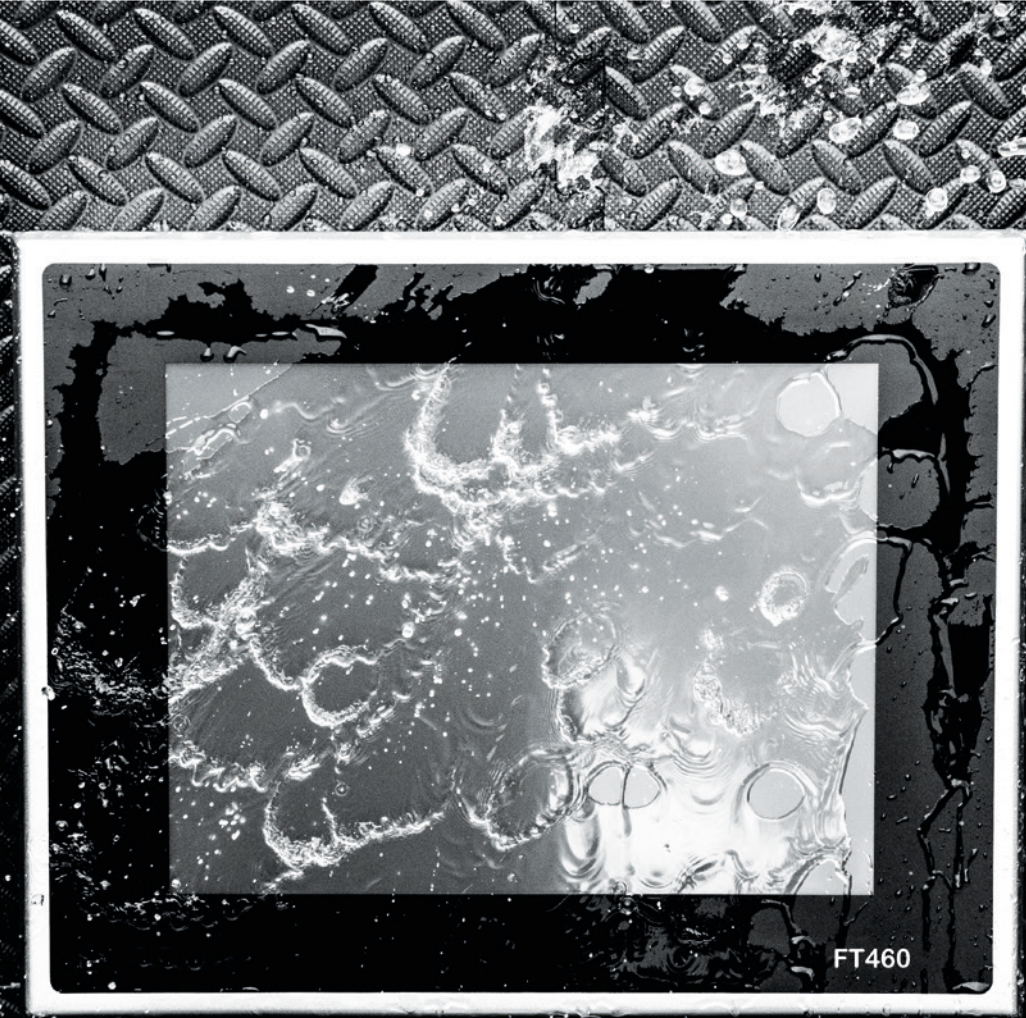


TECHON7

Industrial Computer FT460



Stainless steel
computer for
industrial use



7 reasons to choose the FT Terminals

1. Modular design
2. Reliability
3. Performance
4. Repairability
5. Sustainability by refurbishment
6. Produced in Denmark/EU
7. High return on investment

Modular design

Our modular design secures, that you have a FT460 Computer which always are up and running. When your FT460 Computer breaks down, easily remove the damaged item and switch to a new spare part.

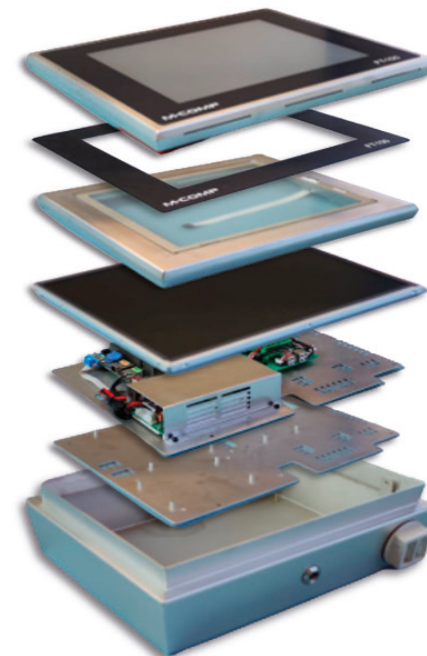
When you need to upgrade your electronics on your FT460 Computer, ask for our upgrade kit and you now have an updated model.

In our entire FT series you can easily make the products fit your demand. The FT series hold different screen sizes, and the key is that it is the same innerplate holding

all electronics. A complete exchange of system can happen on the production line without having to remove the complete FT460 Computer. This operation takes less than 10 minutes, resulting in low down time.

The fronts of the FT460 Computer are likewise one spare part, so an exchange of a broken front can be done in one operation on the production line.

All our accessories is a “one-fit-all” policy.



Reliability

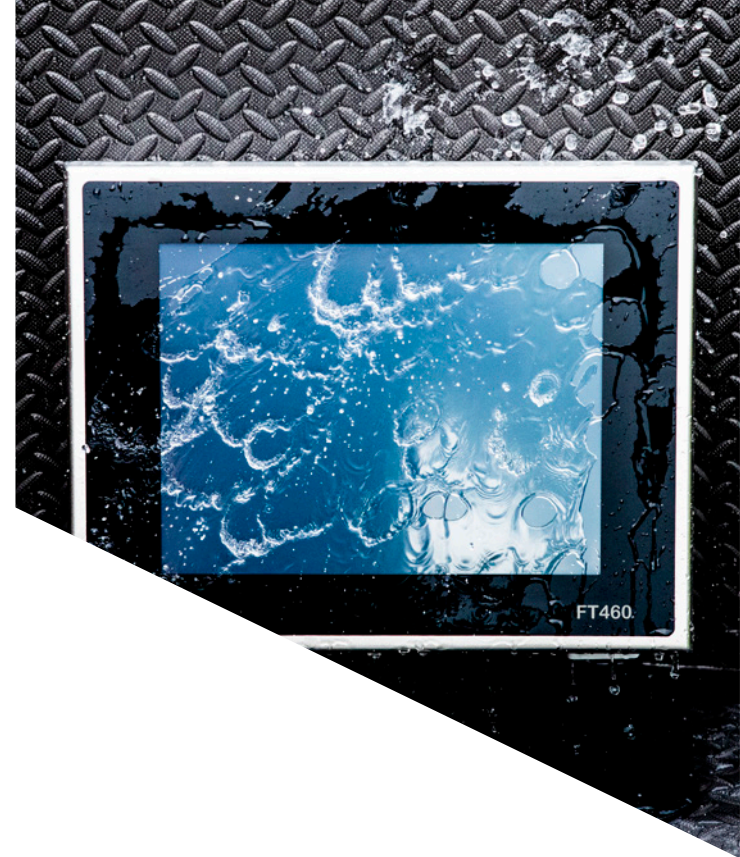
Reliability is a main factor. From early delivery of raw food materials – to production handling - to packing and shipping. The reliability of the FT products will help you manage the process of work without fallouts and down time.

The FT460 Computers are developed to work in harsh environments with water, dust and greasy surroundings. They are designed to resist a cleaning process with detergents.

The FT460 Computers are built to achieve the IP65 standard, which means they are protected from total dust ingress and protected from

low pressure water jets from any direction. The standard split gland for cables entry used is IP66.

The FT460 Computers are built in AISI 316 stainless steel, which is acid resistant and on top of this, it has been treated to give a consistent and nonstick surface. This to ensure a long living and good looking FT460 Computer.



Performance

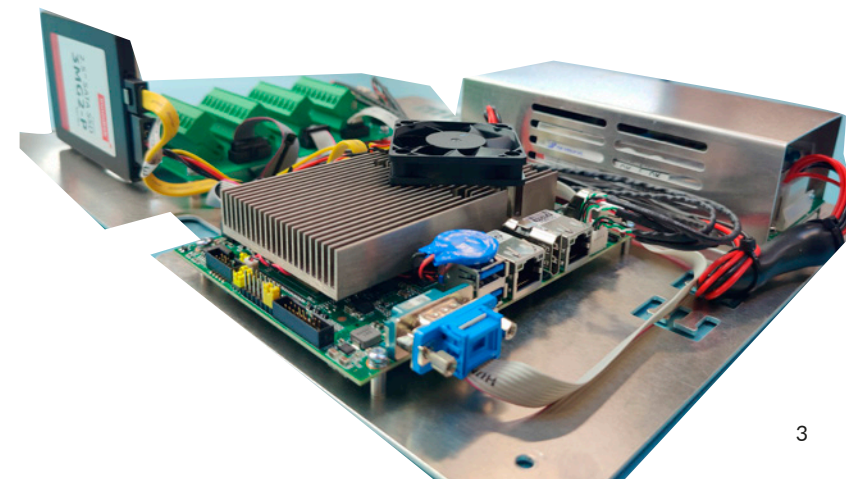
To achieve high and steady performance we have designed a thoroughly thought out built-up, in which all the chosen technology complement each other.

The hardware system in the FT460 Computers and accessories are developed to ensure a product, that gives you the option to have fully

functional FT460 Computer or system, in which you can collect different data, see and control the different processes, monitoring the production output, execute and follow orders and a lot more depending on your software choice and setup.

The hardware system includes a powerful Intel Core I3 processor, 4GB RAM and 64GB Solid-state disc and a high reliable power supply.

The combination of the processor and the additional technology in the FT460 Computers, are developed to ensure that you have a long-lasting product without any breakdowns and major down time. The FT460 Computers thereby continuously keep a high, steady and long-lasting performance over time.



Repairability & sustainability



Repairability

The feature of being able to open the FT460 Computer with a single key in the production environment provides instant access to all parts inside the FT460 Computer.

This makes repairing easy for factories with few or no repair staff. For any service call you bring either a front or an innerplate and the FT460 Computer will be back in operation. The collected spare can be sent to us for refurbishment.

With the FT460 Computers you will be secured spare parts for many years, meaning that our terminals will keep its value as a long-term investment.

Our repair service give extended life to your product. Our on-line system for handling your repair claims, gives you an easy way to register your service request at any time convenient for you.

Once your claim is authorized, you will receive information for your full tracking following the process of your unit from arrival on our site to ship out after repair.

Sustainability by refurbishment

All components used in the FT460 Computers are premium quality. All the electronics will last 5 to 10 years, and the cab-

inet as such will last for more than 20 years.

For this reason we have introduced our refurb program, where the innerplates can be returned with defects to be refurbished with new items or maybe get upgraded, to ensure vital parts and keeps the product run for years.

Thereby we have less waste to be thrown out, as we recycle all parts possible. Old mechanical parts will be washed and cleaned to be sold as refurbished parts.

From experience the most vulnerable part is the screen and its protective film. In our

refurb process we exchange the screen and the film, and clean the metal giving new long life to the FT460 Computers without disposing more parts than necessary. All this to save costs for our customers and to protect the environment.



High Return On Investment

With the fast moving technology an upgrade on the electronic components has become vital. The main reason for system operators to change hardware, is often due to changes in technology platforms. In our FT460 Computer only 50% of the costs are related to the electronics. Therefore it would be a big waste, if the complete FT460 Computer was thrown out only because of a new CPU was needed.

Our mechanical life cycle is minimum 20 years, and a technology cycle is only 5 years. This gives a good reason

to do upgrades rather than exchange. A technology update are often possible at 1/3 of the cost compared to a new FT460 Computer, giving a very good ROI on our products.

Produced in Denmark

By being placed in Denmark we have easy logistic reach to the World. Denmark being a part of the EU, provides free and fast movement of spare parts and refurbished spare parts as well as new products, as no customs declarations are needed.

The workmanship of Danish manufacturing is well recognized world wide as good quality.



Technical specifications

Display	FT460
Size	46" TFT-LCD
Format	16:9
Resolution	1920:1080
LED life time	50.000 Hours
Contrast ratio	4000:1
Luminance	700 cd/m2
Response time	8ms(typ.)
Viewing angle	12 o'clock = 89°
	9 o'clock = 89°
	6 o'clock = 89°
	3 o'clock = 89°

I/O	Common features
Serial port	2x RS232 2x RS232/422/485
USB port	4x USB 2.0 2x USB 3.0
Power in	1x IEC C14 power connector (male)
Power out	5VDC 1A

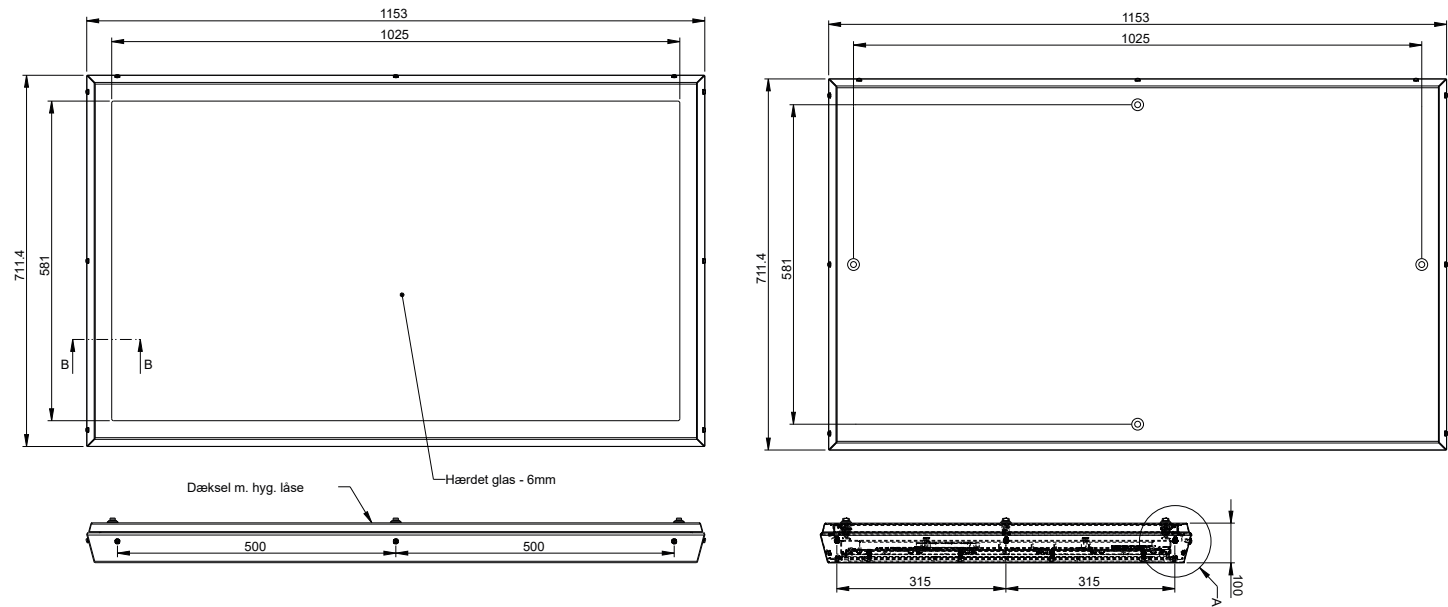
Computer	Common features
CPU	4th generation Intel® Core™ i3-4100E processor 2.4 GHz
Chipset	Intel® HM86
System memory	4GB DDR3L-1600 (can be other size on request)
HDMI port	2x HDMI
Lan	2x 10/100/1000 Mbps

Storage	Common features
Type	64GB 2,5" SSD (can be other size on request)
Expansion type	Full-Size Mini PCI Express Mini Card with mSATA

Power supply	Common features
Voltage	100 - 240 VAC, 50/60 Hz
Power consumption	220 Watt (Max.)

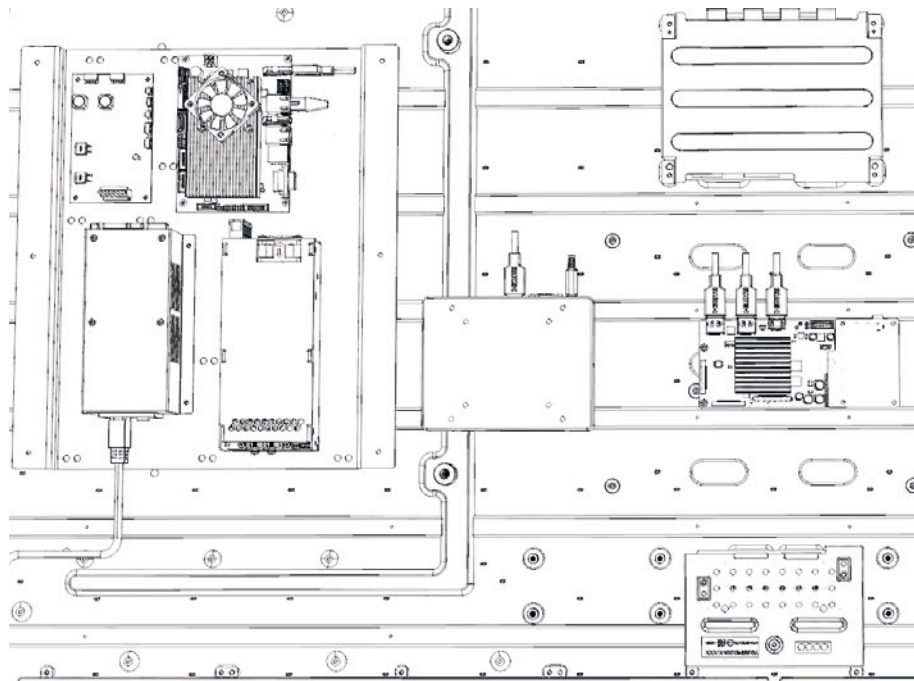
Mechanical and environment	FT460
Cabinet	AISI 316 stainless steel
Dimensions (D, H, W)	100mm x 711,4mm x 1153mm
Weight	38 kg
IP Rating	IP65 (IP66 at cable input)
Working temperature	-5°C to + 35 °C
Storage temperature	-20°C to + 60 °C
Humidity	10% to 95% not condensing
Emission	EN 61000-6-3
Immunity	EN 61000-6-2





FT460

Mechanical drawing



Connections

Mechanical drawing

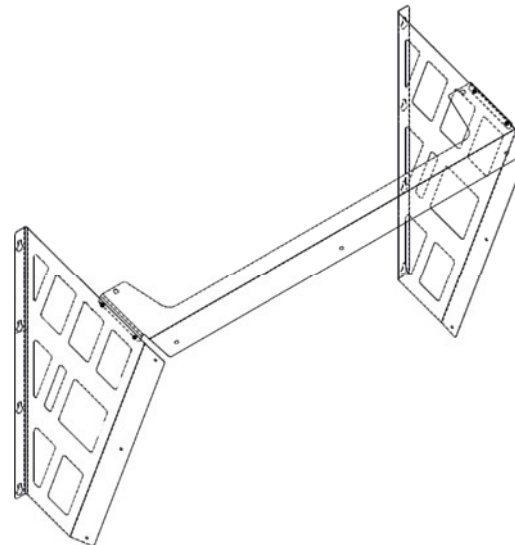
FT Accessories

FT10 Wall mount 46"

FT10 Wall mount for 46" is made in high quality AISI 316 Stainless Steel.

FT Wall mount is easy to install and service. When you have installed your FT Wall mount with the included screw set, then you can attach your FT Industrial Computer.

The FT wall mount set gives the option to setup your FT Industrial Computer on the wall with a viewing angle and to open up the computer with the screen facing down which gives the option to service the computer from above.

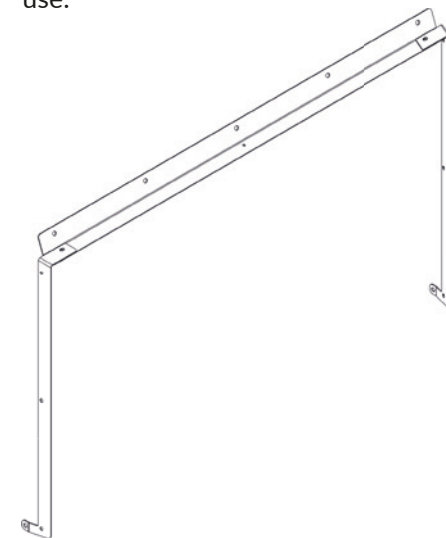


FT11 Ceiling mount 46"

FT11 Ceiling mount for 46" is made in high quality AISI 316 Stainless Steel

FT Ceiling mount is easy to install. When you have installed your FT Ceiling mount with the included screw set onto the ceiling, then you can attach your FT Industrial Computer. The ceiling mount gives you the possibility to raise and lower the FT Industrial Computer.

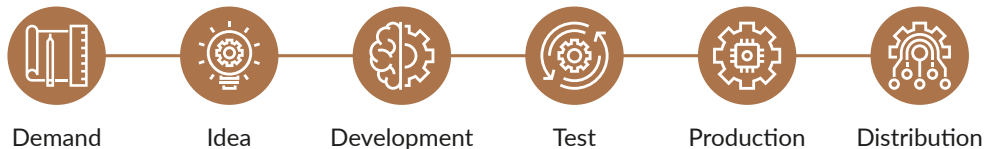
The FT Ceiling mount set gives the option to hang your FT Industrial Computer in the ceiling by attaching to wires to the mount and thereby getting an optimal utilization for everyone to use.



Technical solutions for your needs right now – and in the future

TECHON7 has a wide product program of Industrial Touch Screen Computers for food production and other industries. Our program of ruggedized industrial computer solutions can be used in various harsh environments from water to chemicals and dust. Our solid solutions meet several specific requirements, and the modular concept ensures reliability, repairability, and performance. Together we achieve more.

Our process brings value to your business



When Knowhow Matters

Techon7 ApS
Spettrupvej 1C | DK-8722 Hedensted
+45 7060 2777 | techon7.dk

Through customer insight and competent knowledge we develop and integrate modular components for innovative developers in industries, who aim for reliable and future-proof solutions

