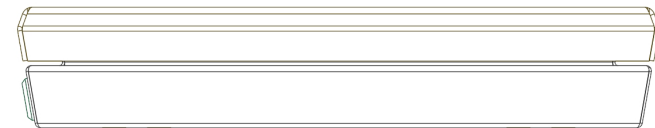
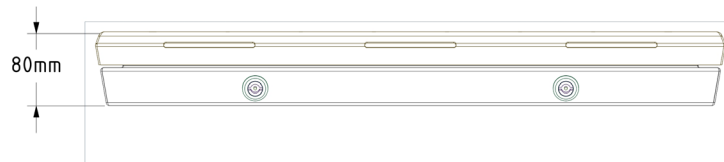
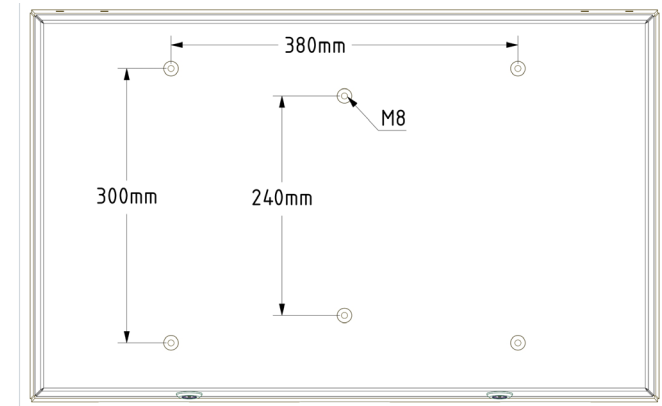
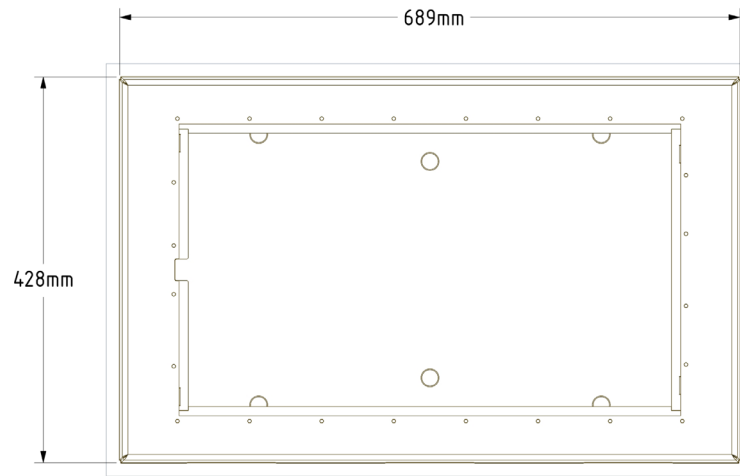


Technical specifications FT240-M



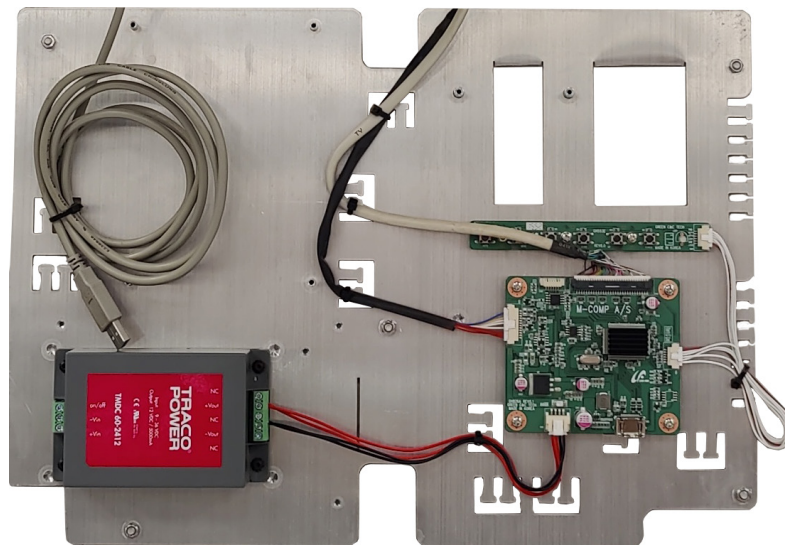
Display and touch	FT240-M
Size	24" TFT-LCD
Format	16:9
Resolution	1920x1080
LED life time	50.000 Hours
Contrast ratio	5000:1
Luminance	300 cd/m2
Response time	Ton: 16ms Toff: 9ms
Viewing angle	12 o'clock = 89° 9 o'clock = 89° 6 o'clock = 89° 3 o'clock = 89°
Touch type	Resistive touch
I/O	Common features
Serial port	2x RS232 2x RS232/422/485
USB port	4x USB 2.0 2x USB 3.0
Power in	1x IEC C14 power connector (male)
Power out	5VDC 1A

Power supply	Common features
Voltage	9 - 36 VDC
Power consumption	35 Watt
Mechanical and environment	FT240-M
Cabinet	AISI 316 stainless steel
Dimensions (D, H, W)	88mm x 428mm x 689mm
Weight	17,5 kg
IP Code	IP65 (IP68 at cable input)
Working temperature	-10°C to + 35 °C
Storage temperature	-20°C to + 60 °C
Humidity	20% to 95% not condensing
Emission	EN 61000-6-3
Immunity	EN 61000-6-2



FT240-M

Mechanical drawing



Connections

Mechanical drawing

Techon7 ApS
 Spettrupvej 1C
 DK-8722 Hedensted

+45 7060 2777
 techon7.dk